

NOTICE

Note that when converting this document from its original format to a .pdf file, some minor font and format changes may occur. When viewing and printing this document, we cannot guarantee that your specific PC or printer will support all of the fonts or graphics. Therefore, when you view the document, fonts may be substituted and your individual printer may not have the capability to print the document correctly.

Smart Communication Server

SL Series

IP Multi-Line Terminal

User Guide

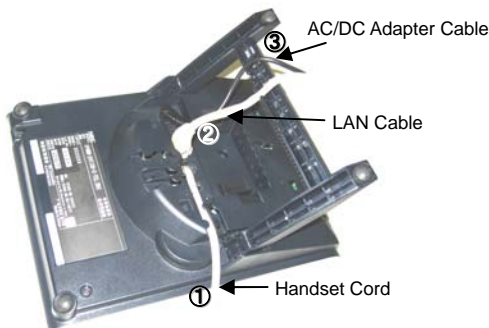
**Please read this manual carefully before operating
this product and save this manual for future use.**

Before using Your Terminal...

Thank you for purchasing NEC SL1100 system.

Due to the flexibility built into the system, your **Dialing Codes and Feature Capacities** may differ from those in this guide. Check with your NEC Authorized Supplier / System Administrator and make a note of any differences.

Installing the Handset and Cables



When installing the handset :

1. Make sure the handset cord is plugged into the handset jack on the telephone base.
2. The LAN cable routes through the channel on the telephone base or the telephone legs. (The LAN cable is customer provided.)
3. AC/DC Adapter cable routes through the channel on the telephone base or the telephone legs. (If Required)

Adjust the two-position Viewing Angle

To set the low viewing angle position:

1. Fold the legs all the way back.



To set the high viewing angle position:

1. Flip up the two leg supports.
2. Fold the legs back until the supports contact the base.



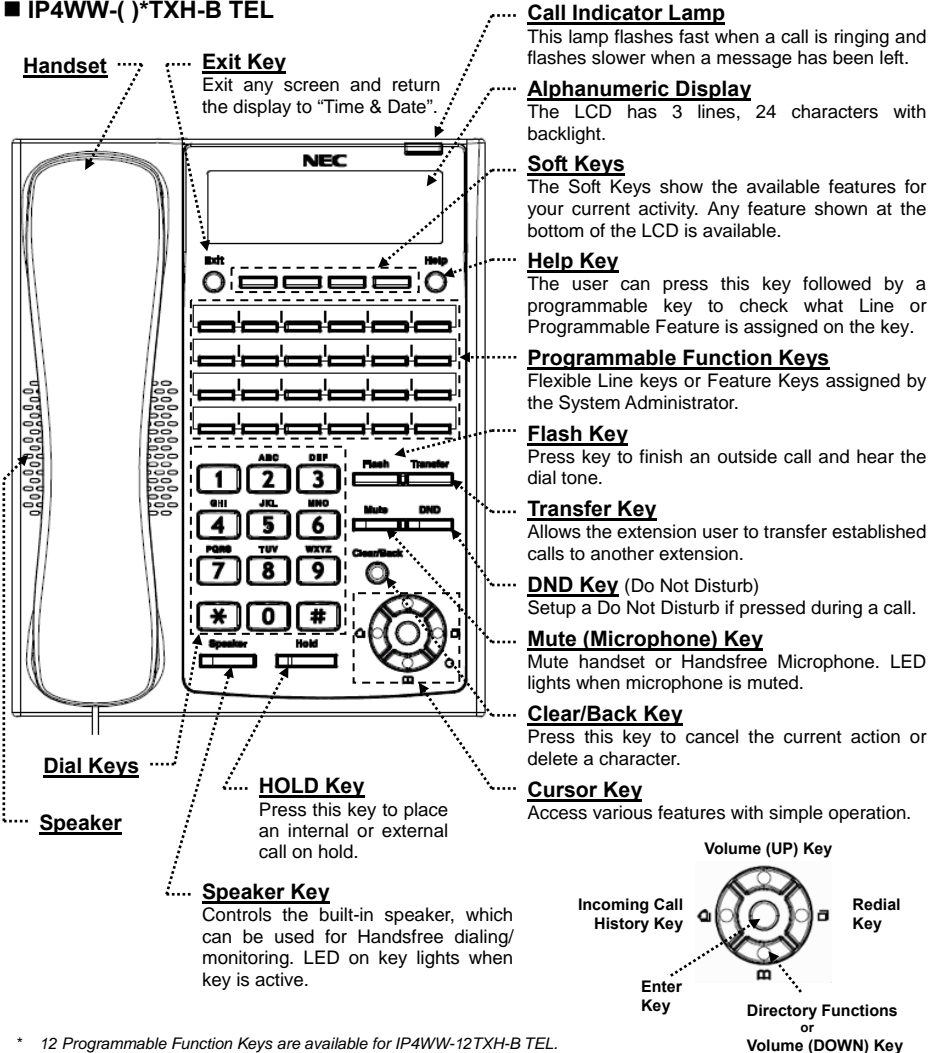
NEC Corporation reserves the right to change the specifications, functions, or features at any time without notice. NEC Corporation has prepared this document for use by its employees and customers. The information contained herein is the property of NEC Corporation and shall not be reproduced without prior written approval of NEC Corporation.

Copyright 2011- 2012, NEC Corporation

Printed in Japan

Using Your Terminal

■ IP4WW-() *TXH-B TEL



* 12 Programmable Function Keys are available for IP4WW-12TXH-B TEL.

24 Programmable Function Keys are available for IP4WW-24TXH-B TEL.

** The illustration shows IP4WW-24TXH-B TEL.

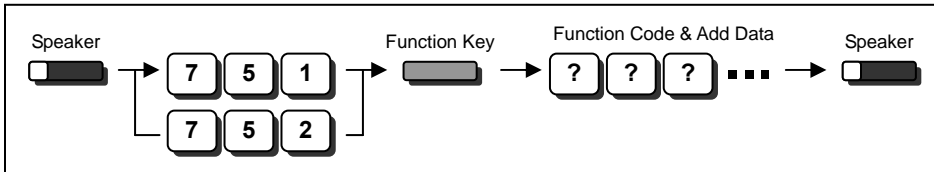
Handsfree Options

- Handsfree lets you place and answer calls by pressing "Speaker" instead of using the handset.
- With Automatic Handsfree, you can press a Speaker Key without lifting the handset. Normally, you have Automatic Handsfree.
- Use Handsfree Answerback to answer a voice-announced Intercom call by speaking toward your phone without lifting the handset.

For Your Convenience

■ Programmable Function Keys

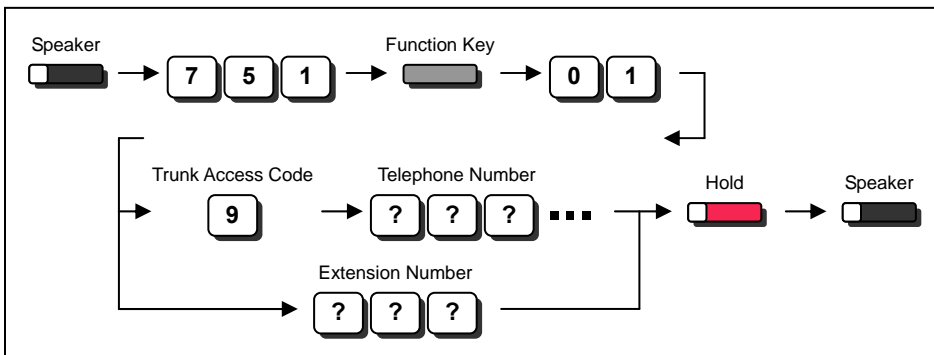
Programmable Function Keys can be assigned as "Trunk" Key and/or other Function Keys. You can just press the function key to activate the assigned function without dialing the Service Code.



- There are 2 levels of Function Keys. (General Keys : assigned by 751, Appearance Keys : assigned by 752)
- Appearance Keys have priority. You can overwrite the Appearance Key at the General Key.
- If you want to overwrite the General Key at the Appearance Key, **you have to erase the Appearance Key** by dialing "752 + 000" before General Key assignment.
- In the default setting, Programmable Function Key No. 1 to 12 is assigned as "Trunk" Key. If you want to assign Function Keys (General) at the unused Trunk Keys, these unused keys should be erased by dialing "752 + 000".
- Programmable Function Keys can be erased by dialing "752 + 000" or "751 + 00".
- Programmable Function Keys can be assigned by Soft Key operation as well.

■ DSS / One-Touch Keys

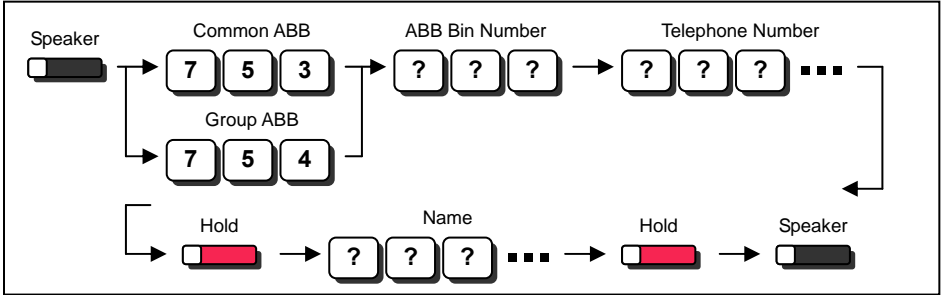
Programmable Function Keys can be assigned as DSS (Direct Station Selection) or One-Touch Keys. You can place an Outside / Intercom Call by just pressing this key without dialing the number.



- To change the Trunk Access Code, ask your NEC Authorized Supplier for the details.
- In the default setting, Programmable Function Key No. 1 to 12 is assigned as "Trunk" Key. If you want to assign DSS Keys to the unused Trunk Keys, these unused keys should be erased by dialing "752 + 000" before performing the above operation.
- For the DSS Key, the extension status can be indicated on the BLF. (idle : extinguished, Busy : lit)
- When you register a telephone number, the Trunk Access Code should be added in front of the number.
- Up to 36 dialing digits can be registered, but the name can not be registered.
- If you want to continue the operation, press Programmable Function Key instead of Speaker Key to finish.
- One-Touch Keys can be assigned using Soft Key operation.

For Your Convenience

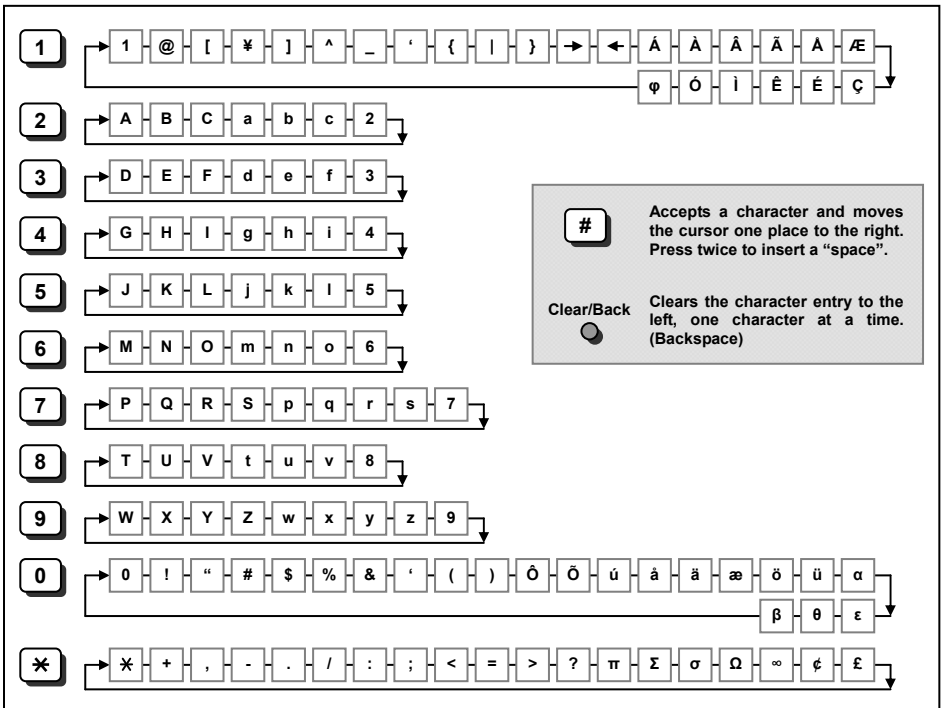
■ Abbreviated Dial (Speed Dial) Registration



- The number of digits dialed for Bin No. depends on the system setting (0-9<Only Group ABB> / 00-99 / 000-999).
- System setting is necessary for Group ABB function. Ask your NEC Authorized Supplier for the details.
- Name can be entered by Dial Pad Keys. (See below)
- Up to 36 dialing digits can be registered, and up to 12 characters can be registered as name.
- If you want to continue the operation, dial Bin No. instead of Speaker Key to finish.
- You can skip to enter the name. (No enter any character, then press "Hold" Key).
- You can erase the registered number & name by pressing "Exit" Key after dialing Bin No..
- Common Abbreviated Dial can be registered using Soft Key / Cursor Key operations.

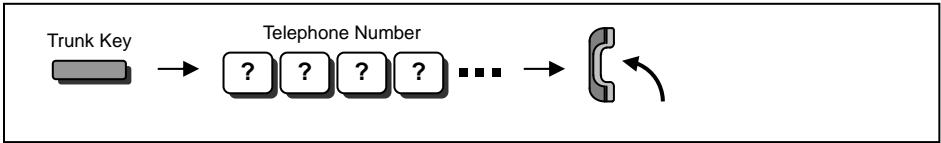
■ Entering Alphanumeric Characters

When you enter a name, use Dial Pad Keys to enter letters as below. For example, press "2" key once for "A", twice for "B", etc.



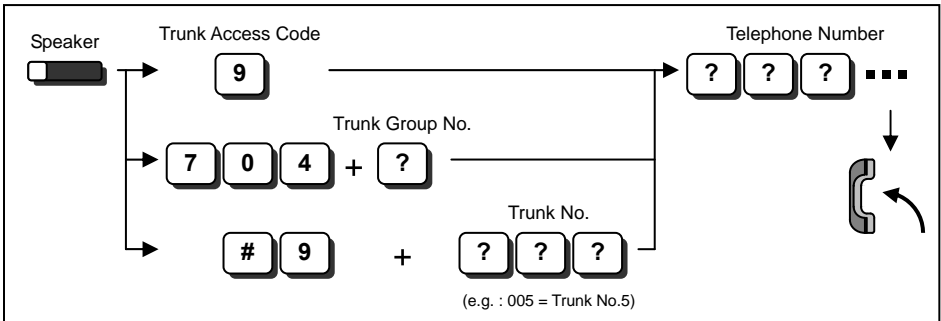
Placing Calls

■ Place an Outside Call <Quick Access>



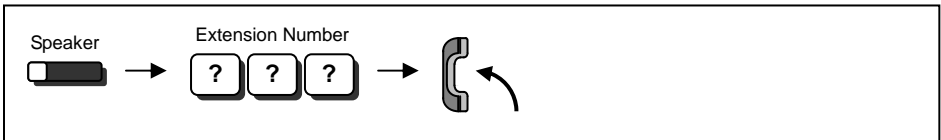
- Listen to the Dial Tone before dialing a Telephone Number.
- You can have function keys for Trunks or Trunk Groups. Ask your NEC Authorized Supplier for the details.

■ Place an Outside Call <Access by Code>



- To change the Trunk Access Code, ask your NEC Authorized Supplier for the details.
- Listen to the Dial Tone before dialing a Telephone Number.
- If the Trunk Group number is greater than 10, you should enter 2 digits (e.g. 11 : Group 11) after dialing "704". Ask your NEC Authorized Supplier for the details.
- Ask your NEC Authorized Supplier for the Trunk Number dialing digits.

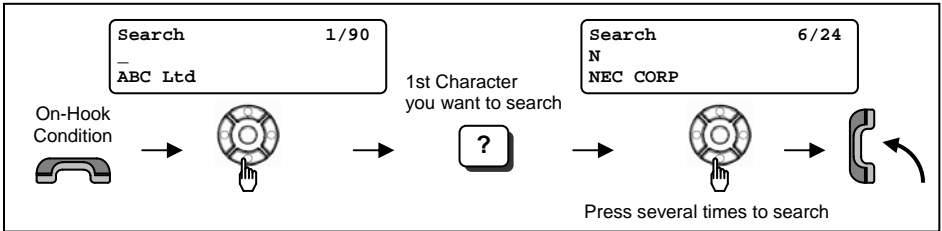
■ Place an Intercom Call <Dial Access>



- Your call will ring or voice-announce. If you hear ringing, wait for an answer. If you hear a beep, begin speaking. Dialing "1" changes voice/ring mode (if the destination is Multi-line Terminal).

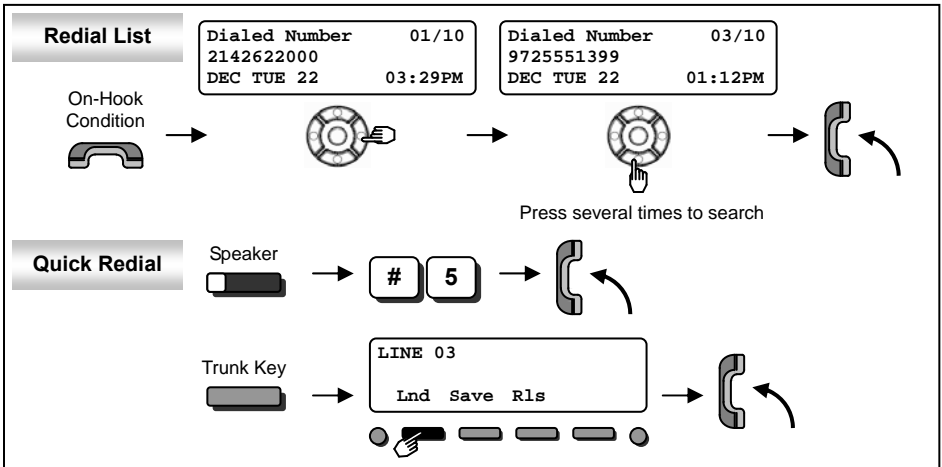
Placing Calls Quickly

■ Directory Dialing



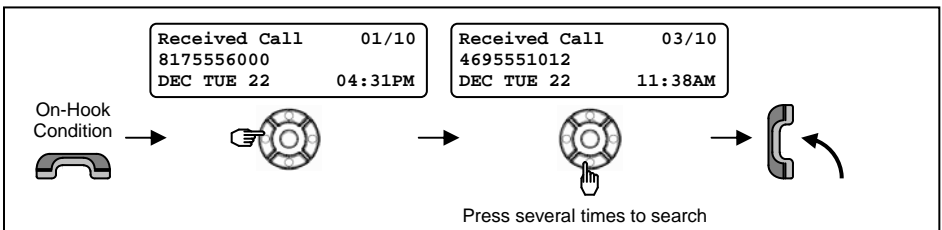
- After searching the desired destination, press “Enter” Key to confirm the telephone number before lifting the handset, if necessary.
- You can enter more characters (up to 12) to make desired destination’s search even more specific.
- You can also search the desired destination without entering the characters (press Cursor Keys only).
- To cancel the Directory Dialing operation, press “Clear/Back” Key.
- Directory Dialing can be activated using Soft Key operation.

■ Last Number Dialing



- The system retains the last 10 numbers dialed, which can be reviewed and redialed.
- To cancel the Redial List operation, press “Clear/Back” Key.

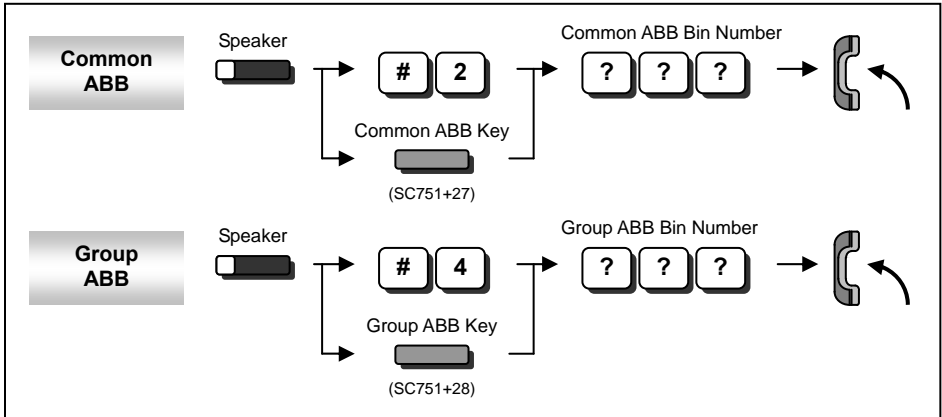
■ Callback by Received Number



- Caller-ID function is required to use this operation for outside calls. Ask your NEC Authorized Supplier for more details.
- To cancel the Callback operation, press “Clear/Back” Key.

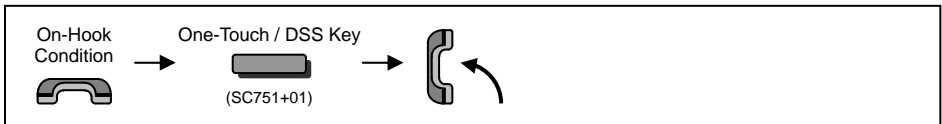
Placing Calls Quickly

■ Abbreviated (Speed) Dialing <for Outside>



- The digit of Bin No. depends on the system setting (0-9 <Only Group ABB> / 00-99 / 000-999).
- Telephone Numbers are pre-registered to the system.
- System setting is necessary for Group ABB function. Ask your NEC Authorized Supplier for the details.
- When you assign the Common ABB Key on the Programmable Function Key, "Press HOLD" is required after dialing the Function Code 27.

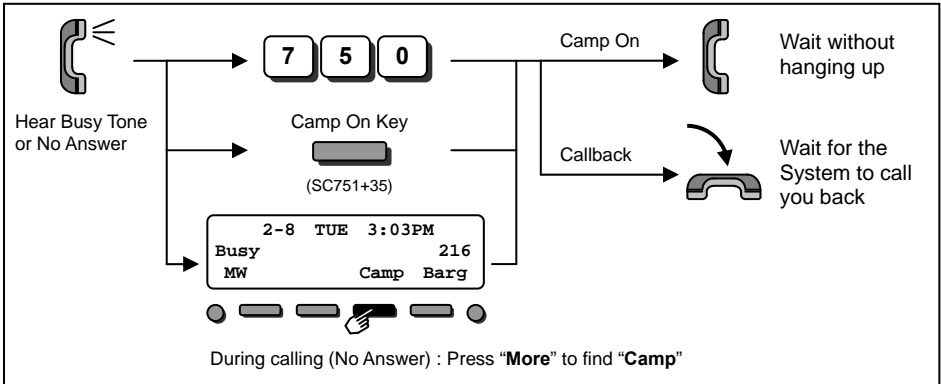
■ One-Touch / DSS Call



- Telephone / Extension number should be pre-registered to a One-Touch / DSS Key.
- Trunk Access Code should be added in front of the Telephone Number.

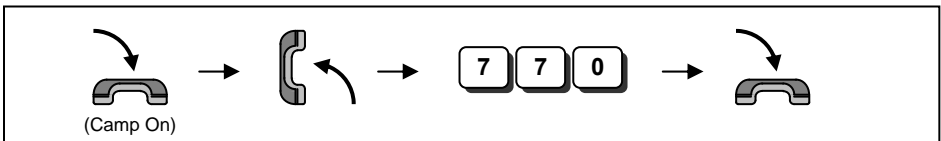
If your call doesn't go through...

■ Set Camp On / Callback

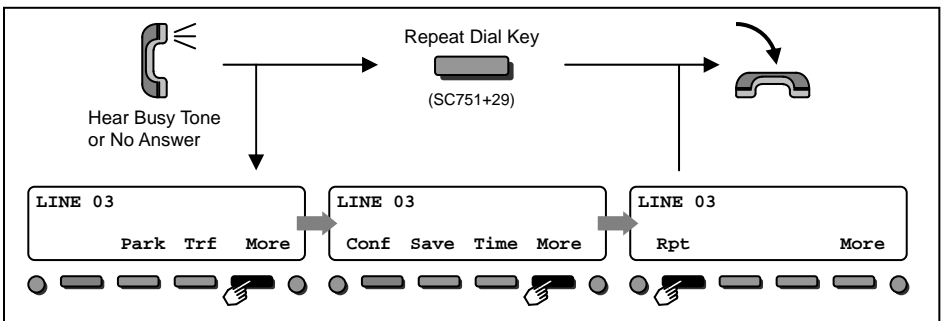


- **Camp On** *Intercom Call - When you hear ringing, wait for the called party to answer.
Outside Call - When you hear Dial Tone, begin telephone number dialing.*
- **Callback** *Intercom Call - When your terminal starts the ringing, lift handset and wait for the called party to answer.
Outside Call - When your terminal starts the ringing, lift handset, hear Dial Tone, and begin telephone number dialing.*
- This function is applicable in case all trunks are busy condition (not applicable for dialed outside party busy).

■ Cancel Camp On / Callback



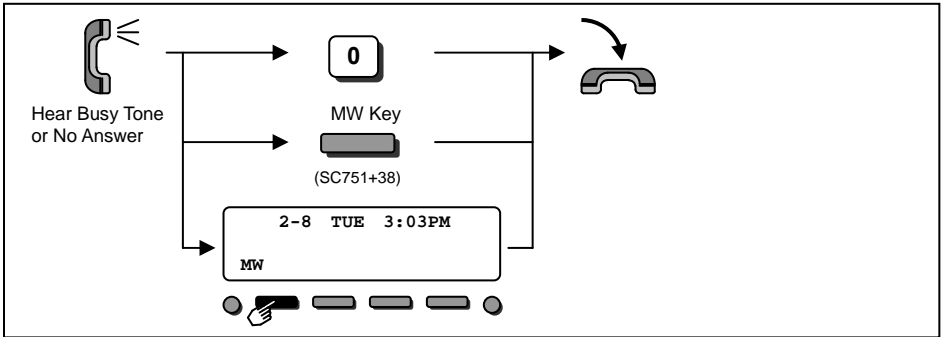
■ Repeat Dialing <Outside Call Only>



- When the Repeat Dialing is set, Repeat Dial Key flashes and the system automatically and periodically redials a call. Repeat duration is programmable. Ask your NEC Authorized Supplier for the details.
- You should lift the handset when the called party answers.
- Press flashing Repeat Dial Key to cancel.

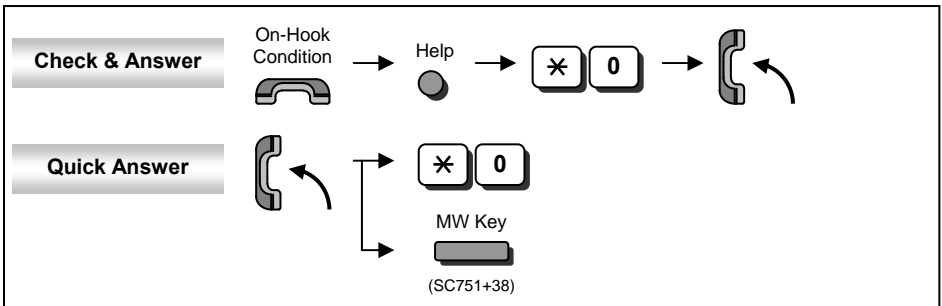
If your call doesn't go through...

■ Set a Message Waiting



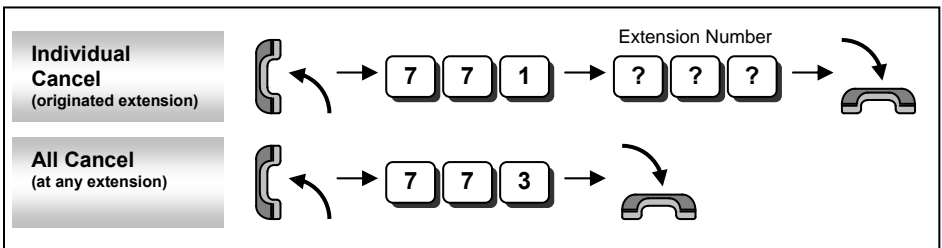
- When you set a MW, the called party's Indicator starts to flash, and your Indicator is lit Green.

■ Answer a Message Waiting (Your terminal's Indicator is flashing Green.)



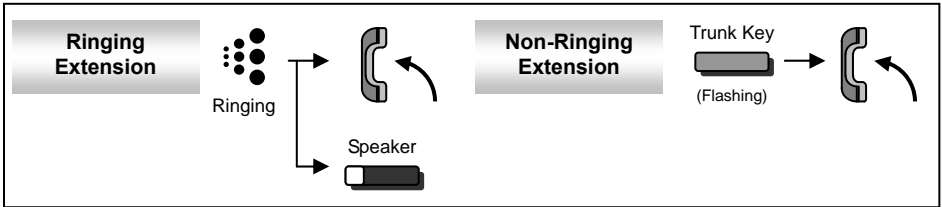
- When you answer a MW, the Indicator automatically goes off when the called party answers.
- If multiple message are in queue, you can select the desired party by pressing Up key after dialing " *, 0".

■ Cancel Message Waiting



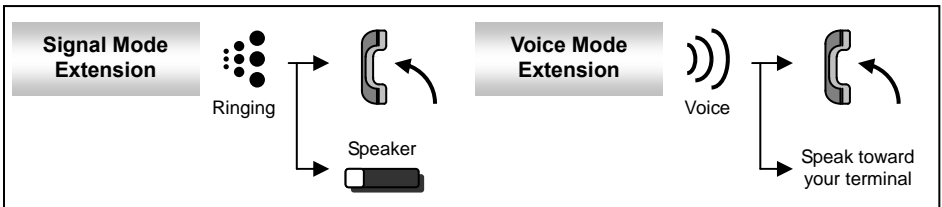
Answering Calls

■ Answering an Outside Call



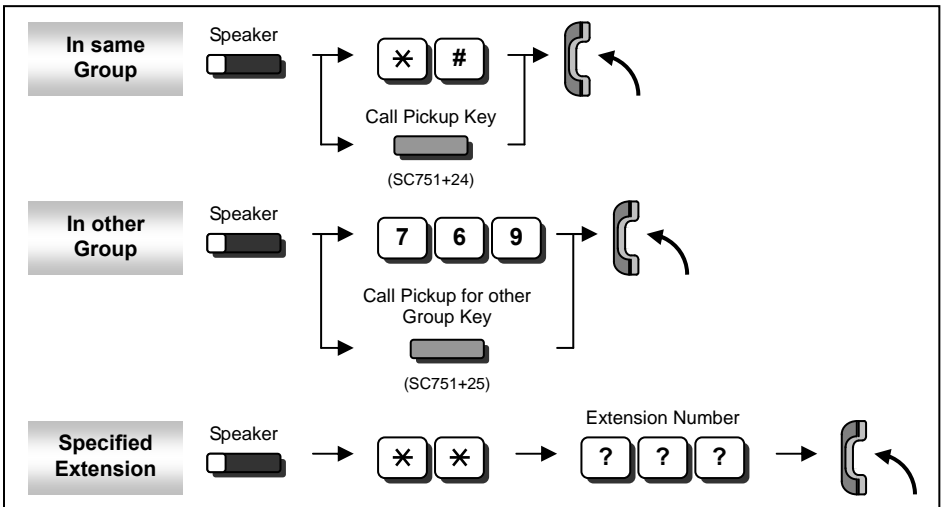
- Confirm the status of Mute Key if you want to answer by Handsfree (Mute On : LED On, Mute Off : LED Off).

■ Answering an Intercom Call



- Intercom Call Mode (Signal or Voice) can be set at your terminal by :
 "Signal" : **Speaker -> 723** "Voice" : **Speaker -> 721**
- Confirm the status of Mute Key if you want to answer by Handsfree. (Mute On : LED On, Mute Off : LED Off)

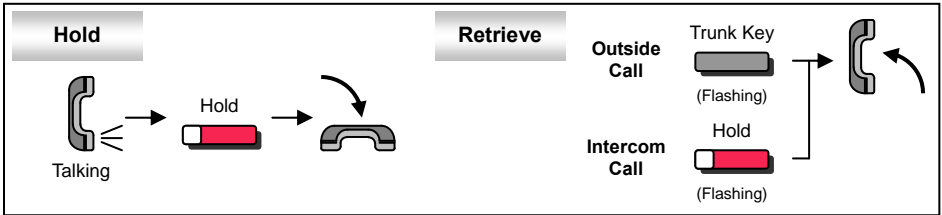
■ Picking up a Call for other Extensions



- System setting is necessary to create a Call Pickup Group. Ask your NEC Authorized Supplier for the details.
- Call Pickup operations are available using Soft Key operation.

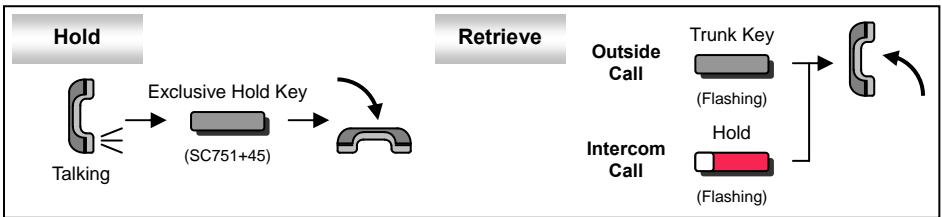
Hold / Transferring Calls

■ Holding a Call / Retrieving a Held Call



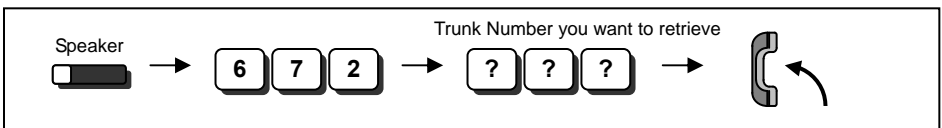
- When on an Intercom, the call is held as “Exclusive Hold” on your terminal.
- This operation puts your outside call on System Hold. Other extension users can take the call off Hold.

■ Holding a Call Exclusively



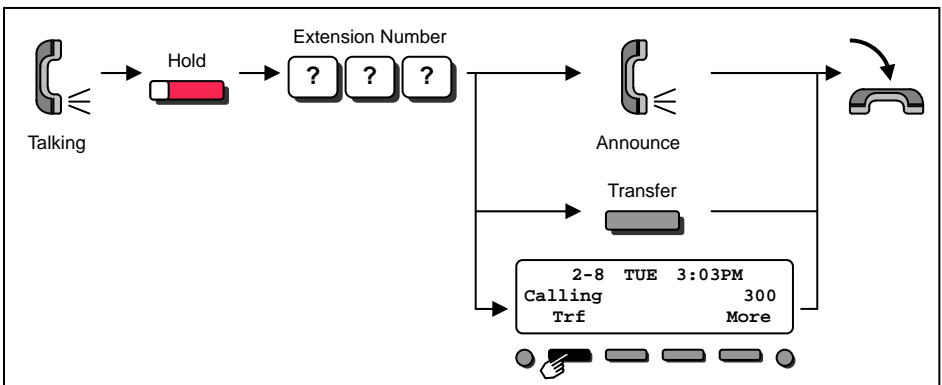
- This operation puts your outside call on Exclusive Hold. Other extension users can not take the call off Hold.

■ Retrieve a Held Outside Call



- Ask your NEC Authorized Supplier for the details about your Trunk Number dialing digits.

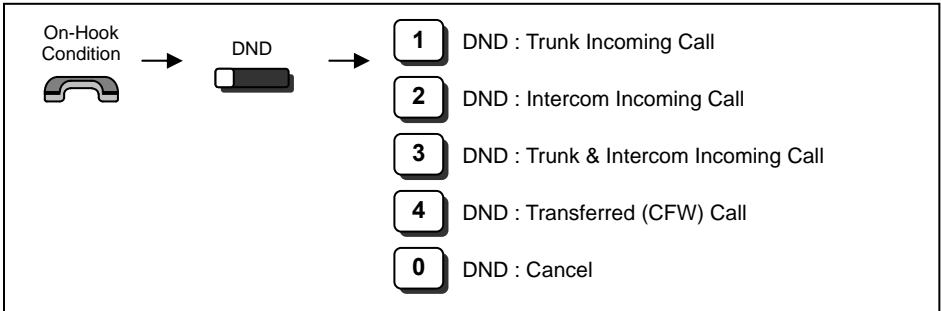
■ Transferring a Call to the other Extension



- If your terminal has DSS/One-Touch key, just press it instead of “HOLD” and “Extension Number” dialing.

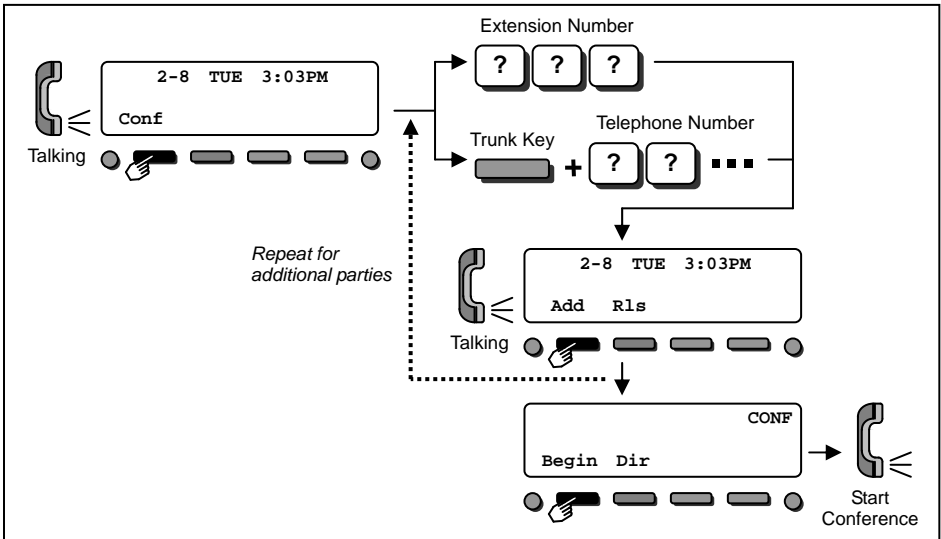
For more Convenient Use...

■ Do Not Disturb (DND)



- When you set DND function, DND Key is lit and the Internal Dial Tone pattern changes.

■ Conference

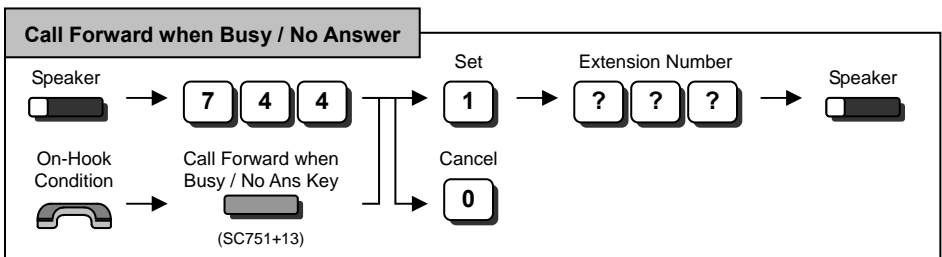
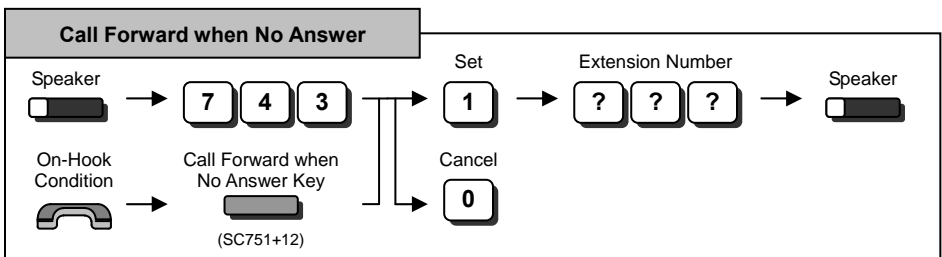
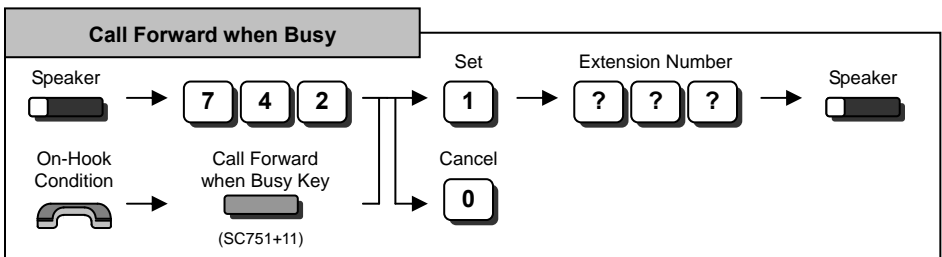
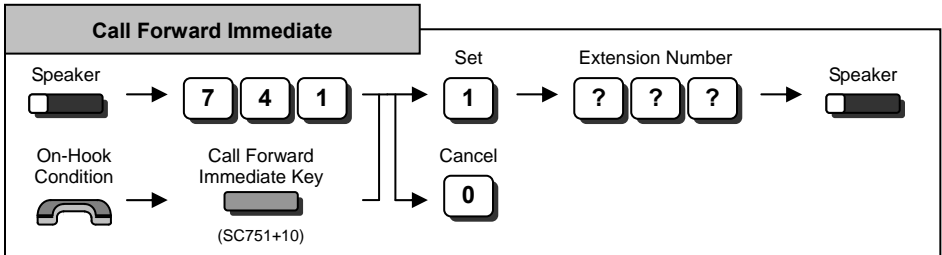


- You can repeat this operation to add more parties.
- You may be able to have up to 16 parties (including your terminal). You may need to adjust the volume level due to the environment where calls are placed. Ask your NEC Authorized Supplier for the details.

For more Convenient Use...

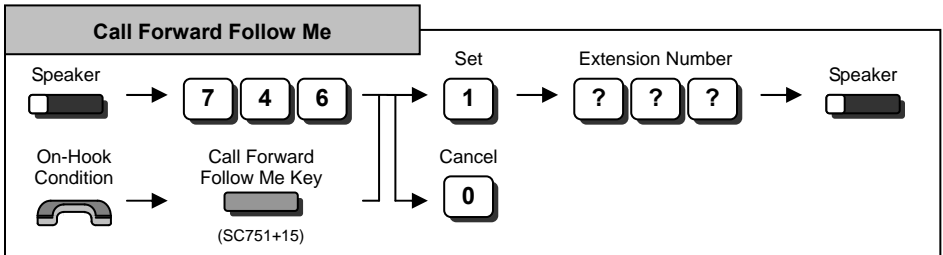
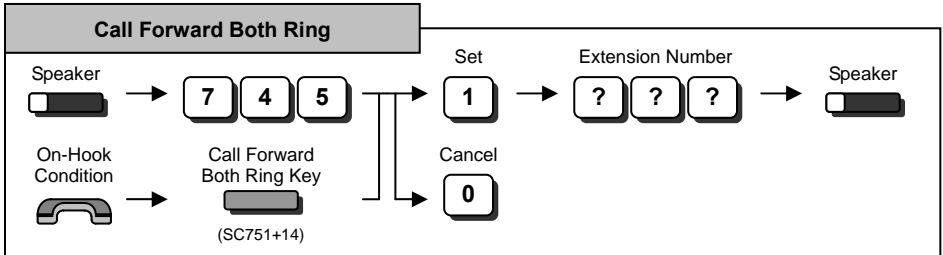
■ Call Forwarding / Follow Me

When you set Call Forward / Follow Me, the destination extension is displayed on the LCD and the Internal Dial Tone pattern is changed. (Call Forward / Follow Me can be set using a Soft Key).



For more Convenient Use...

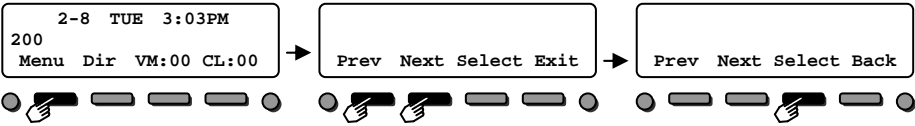
■ Call Forwarding / Follow Me (Cont'd)



Soft Keys Operation

■ “Menu” Soft Key

The following table shows the menu structure of “Menu” Soft Key. You can reach the desired feature using the following operation.



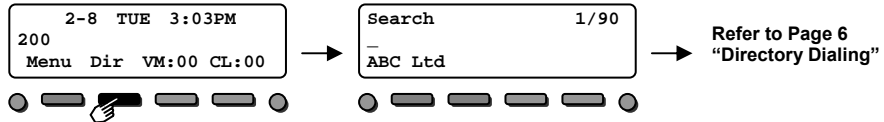
It is possible to search the desired feature by pressing Cursor the Keys (Up / Down / Right / Left) several times instead of “Prev” or “Next” Soft Keys, or it’s possible to access the desired feature directly by dialing the 2 digit Menu Code after pressing the “Menu” Soft Key.

Item	Menu Code	Next Operation after pressing the “Select”
10 : Volume Preference	11 : Ring 12 : Off-Hook Ring	Press “ Down ” or “ Up ” to adjust the selected option.
20 : Display Preference	21 : Contrast 22 : Min Brightness 23 : Max Brightness	Press “ Down ” or “ Up ” to adjust the selected option.
30 : Feature Preference	31 : Voice Announce 32 : Handsfree Reply 33 : Auto Call Timer 34 : Preview Dial 35 : Illuminated Dialpad 36 : Auto Call Screening 37 : Incoming Page 38 : Ringing Line Preference 39 : Auto Backlit	For the selected option, press “ On ” (enable) or “ Off ” (disable).
40 : Ring Preference	41 : Intercom 42 : Line Keys 43 : Each Line Keys	Press “<<” or “>>” to select and save option.
50 : Key Assignment	51 : Feature Keys 52 : Primeline Key	Press “<<” or “>>” to select and save option.
60 : Call Forwarding	61 : Immediate 62 : Ring No Ans 63 : Busy No Ans 64 : Call Forward AME 65 : Display Message 66 : Follow Me 67 : Both Ring	Press “ Set ” or “ Cancel ”, enter the destination and select option to save.
70 : Speed Dial	71 : Personal Speed Dial 72 : Company Speed Dial	Enter Bin number and Phone number, Name and save.
80 : Name and Language	81 : Extension Name 82 : Display Language	For Name, enter the name using Alphanumeric Characters, For Language, press “<<” or “>>” to select and save.
90 : Option Preference	91 : Headset Mode 92 : Headset Voice Announce 93 : System Information 94 : VoIPDB Information 95 : Auto Backlit (Threshold) 96 : IP Address Information 97 : IP Phone log off 98 : Change login password	For Headset option, press “ On ” (enable) or “ Off ” (disable). For System / VoIPDB information (IP Address, MAC Address), press “ Select ”. For Auto Backlit, select threshold option to save.
00 : Admin	01 : Time 02 : Date 03 : Extension Name 04 : Clear All Call Fwd 05 : System Night Key Mode	For Time, Date and Extension Name, enter the Time, Date and Extension Number and Name to save. For Clear All Call Fwd, press “ Yes ”.

Soft Keys Operation

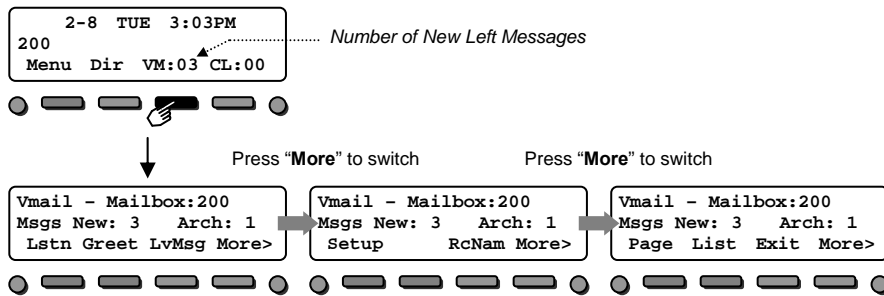
■ “Dir” Soft Key

You can activate the Directory Dialing feature by pressing the “Dir” Soft Key.



■ “VM” Soft Key (Option)

The Number of new messages in your mailbox is displayed on the “VM” Soft Key; you can access your mailbox by pressing this key.



Soft Key Indication	Feature	Next Operation after pressing Soft Key
Lstn	Listen to Left Messages	Press “ Next ” to play next message, press “ Rplay ” to repeat played message, press “ Del ” to delete played message. Press “ More ” for other Mailbox features.
Greet	Mailbox Greeting	Press one of “ Gr1 ” / “ Gr2 ” / “ Gr3 ” to choose the desired personal greeting message, and press “ Lstn ” (Listen) / “ Rec ” (Record) / “ Del ” (Delete) to maintain it.
LvMsg	Leave Message	Start message recording and press “ Done ” to complete it. Dial extension number you want to send this message and press “ Send ”.
Setup	Mailbox Option Menu	Press “ Code ” (Security Code) / “ Notfy ” (Message Notification) / “ CallH ” (Call Handling Option) / “ ATime ” (Auto Time Stamp) to maintain each mailbox option.
RcNam	Name Menu	Press “ Lstn ” (Listen) / “ Rec ” (Record) / “ Del ” (Delete) to maintain the Mailbox Name.
Page	Page Message Menu	Press “ Lstn ” (Listen) / “ Rec ” (Record) / “ Del ” (Delete) to maintain the Paging Message.
List	Message List	Press “ All ” / “ New ” / “ Arch ” to set the message listen mode (message list) which you want to listen.
Exit	Exit VM Menu	- - -

Soft Keys Operation

■ “CL” Soft Key

Number of new unanswered calls is displayed on the “CL” Soft Key; you can access your Caller-ID List by pressing this key.

2-8 TUE 3:03PM
 Check List
 Menu Dir VM:00 CL:02



Total:05 New:02
 Unans:03 Ans:02
 All Unan Del Exit



01: 2142622999
 2-6 13:19
 Call Store Del More



Soft Key Indication	Feature	Next Operation after pressing Soft Key
All	All Incoming Calls List	See below
Unan	Unanswered Calls List	See below
Del	Delete List	Press “Yes” to delete all Caller-ID List. (or press “No” to cancel)
Exit	Exit from Summary	- - -

Press
 “More”
 to switch



01: 2142622999
 2-6 13:19
 Edit Back More



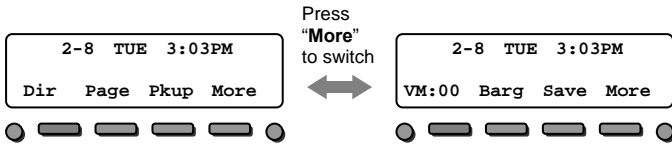
Press “VOL Up /
 Down” Keys to
 select the
 desired number.

Soft Key Indication	Feature	Next Operation after pressing Soft Key
Call	Call to displayed number	Lift the handset to talk when the destination answered.
Store	Store displayed number	Press “STA” (Personal Speed Dial) or “Abb” (Common Abbreviated Dial), and dial Bin Number to store the displayed number with name. (Press Hold Key to save.)
Del	Delete displayed number	Next received Caller-ID shall be automatically displayed, and continue the Caller-ID Soft Key operation.
Edit	Edit displayed number	Press “<-“ or “->” to change the cursor position, press “DEL” to delete a digit, and dial new digit. (Press Hold Key to save.) Press “CNCL” to cancel Edit Mode.
Back	Return to Summary	Continue the Caller-ID Soft Key operation.

Soft Keys Operation

■ Soft Key Operations during Off-Hook condition

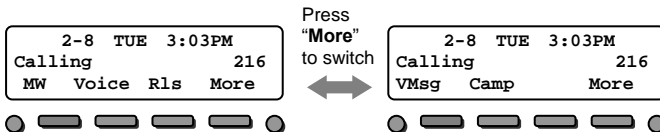
When you press the Speaker Key or lift the handset you will see the following Soft Keys.



Soft Key Indication	Feature	Next Operation after pressing Soft Key
Dir	Directory Dialing	Refer to Page 6 for Directory Dialing operation.
Page	Paging	Press " InPg " (Internal Paging) or " ExPg " (External Paging), and dial the Group/Zone number to page.
Pkup	Call Pickup	Press " Pers " for Extension Call Pickup. Press " ExPg " for External Paging pickup. Press " InPg " for Internal Paging pickup.
VM:00	Mailbox Access	Refer to Page 16 (VM Soft Key).
Barg	Barge-In	Dial the target extension number to barge in.
Save	Saved Number Dial	Saved number is dialed automatically. Wait for answer.

■ Soft Key Operations during Intercom Calling

During Intercom calling (called party does not answer yet) you will see the following Soft Keys.



Soft Key Indication	Feature	Next Operation after pressing Soft Key
MW	Message Waiting	Message Waiting is set. Hang up to finish.
Voice (Signal)	Intercom Call Mode Switching (Signal / Voice)	Signal -> Voice : Start to talk after beep tone. Voice -> Signal : Wait for called party answer. Press " Voice " (or " Signal ") again to switch Call Mode, if necessary.
Rls	Hang Up	---
VMsg	Leave a Message (In-Mail) (Option)	Start recording your message.
Camp	Camp On / Callback	<u>Camp On</u> Wait for the system to call you back without hanging up. <u>Callback</u> Hang up and wait for the system to call you back.

Soft Keys Operation

■ Soft Key Operations after establishing an Intercom Call

After establishing an Intercom call, access following feature using Soft Keys.

2-8 TUE 3:03PM
Talking to 216
Conf



Refer to Page 12
"Conference"

Soft Key Indication	Feature	Next Operation after pressing Soft Key
Conf	Conference	Dial the desired extension number, or seize an idle trunk and place a call to establish a conference. Press "Add" to invite the other party, or press "Add" and "Begin" to start a conference. Press "AnHd" to retrieve a held call.

■ Soft Key Operations during Outside Call

When you seize a trunk for outgoing call, or you answered an incoming call, access following features using Soft Keys.

(When you seize a Trunk)

LINE 03
Lnd Save Rls Acct



After establishing call and pass 4 seconds

Press **"More"** to switch

LINE 03
Park Trf More

LINE 03
Conf Save Time More

LINE 03
Rpt More



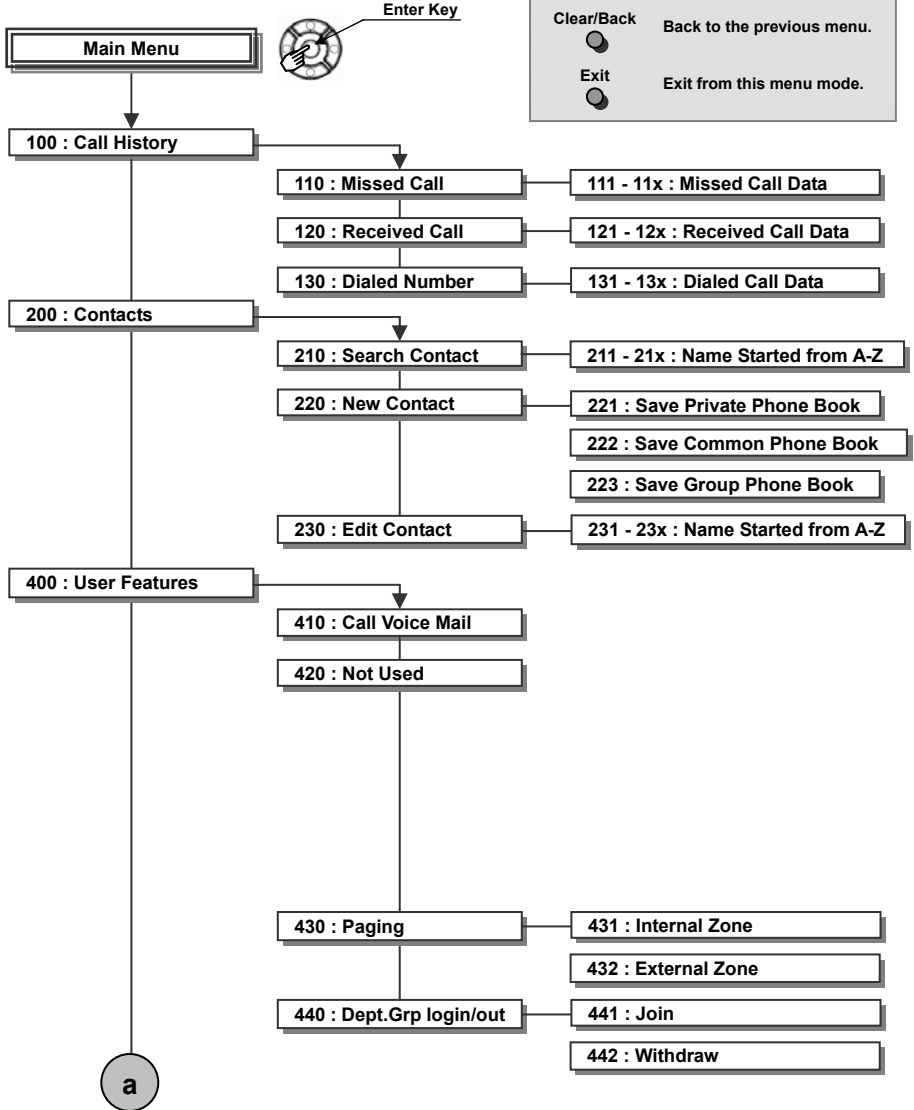
Soft Key Indication	Feature	Next Operation after pressing Soft Key
Lnd	Last Number Dialing	Last dialed number is dialed automatically. Wait for answer.
Save	Saved Number Dialing	Saved number is dialed automatically. Wait for answer.
Rls	Hang Up	- - -
Acct	Account Code Entry (Option)	Enter the Account Code.

Soft Key Indication	Feature	Next Operation after pressing Soft Key
Lnd	Last Number Dialing	Last dialed number is dialed automatically. Wait for answer.
Park	Park Hold	Press "Sys" (System Park) or "StaP" (Extension Park) to select type of Park Hold.
Trf	Transfer	Dial the desired extension number, or seize an idle trunk and place a call to transfer.
Conf	Conference	Dial the desired extension number, or seize an idle trunk and place a call to establish a conference. Press "Add" to invite the other party, or press "Add" and "Begin" to start a conference. Press "AnHd" to retrieve a held call.
Save	Save dialed Number	- - -
Time	Call Duration Time Indication	Press "Time" again to turn off the Call Duration Time indication.
Rpt	Repeat Dialing	Repeat Dialing feature is set, and the system automatically places a call periodically. Wait for answer.

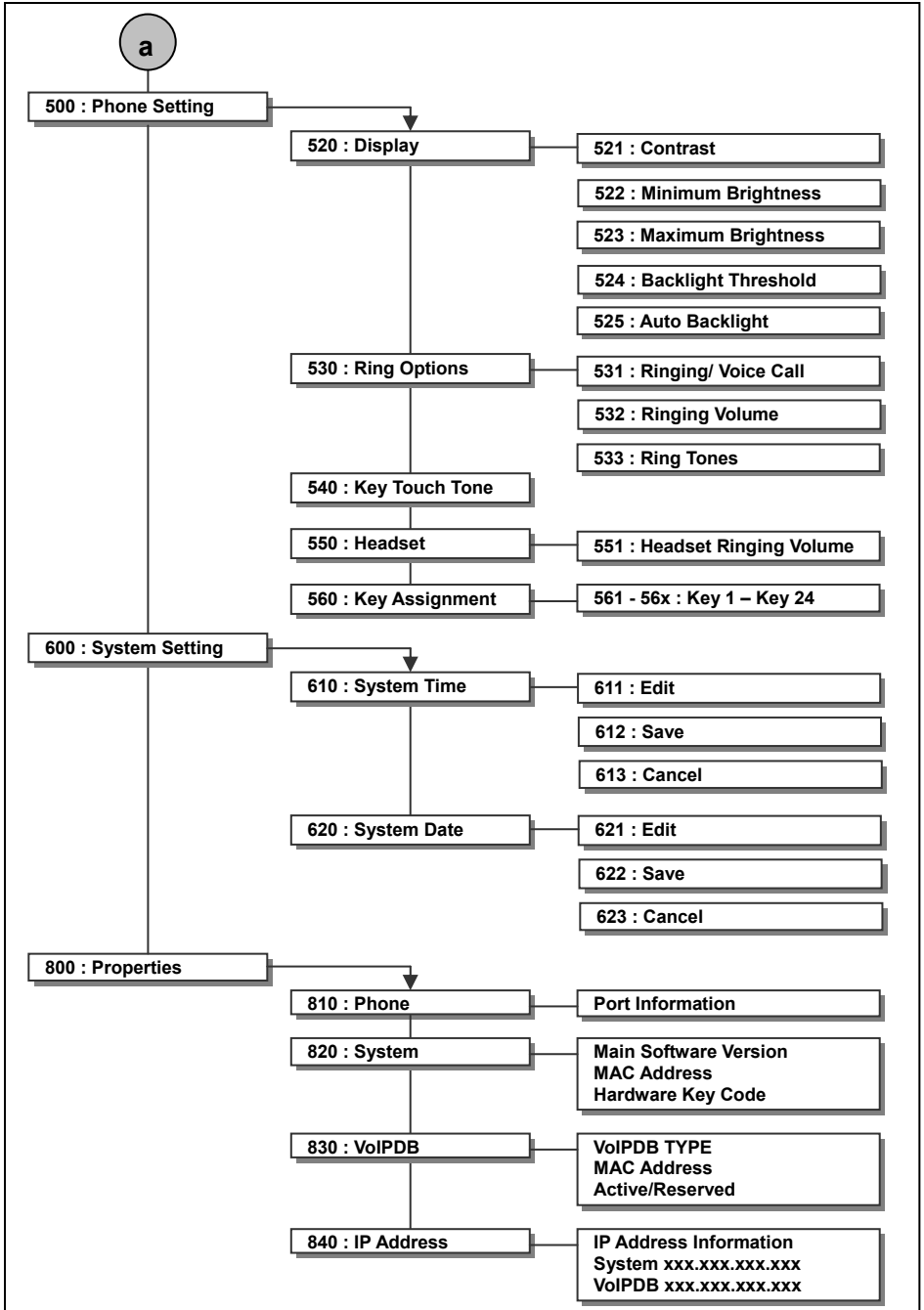
Cursor Keys Operation

■ Menu Structure when PRG15-02-60 is set to Advanced Mode 1

The following table shows the menu structure of the Cursor Keys. You can reach the desired menu by pressing Navigation Keys (Up / Down / Right / Left) or dial 3 digits for shortcut access after pressing the "Enter Key" to activate a menu.



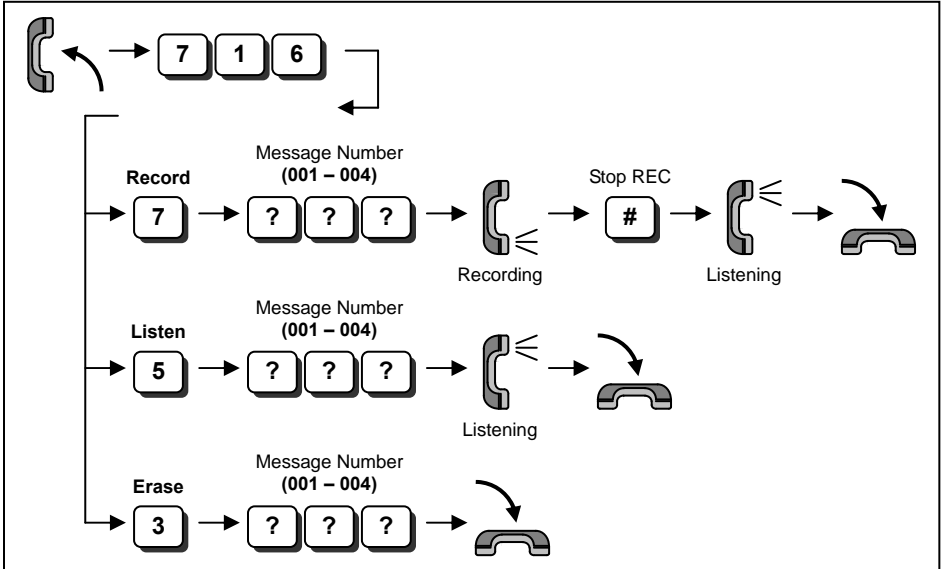
Cursor Keys Operation



Built-In Answering Machine (VRS Message)

System setting is necessary to use a Built-In Answering Machine. Ask your NEC Authorized Supplier for the details.

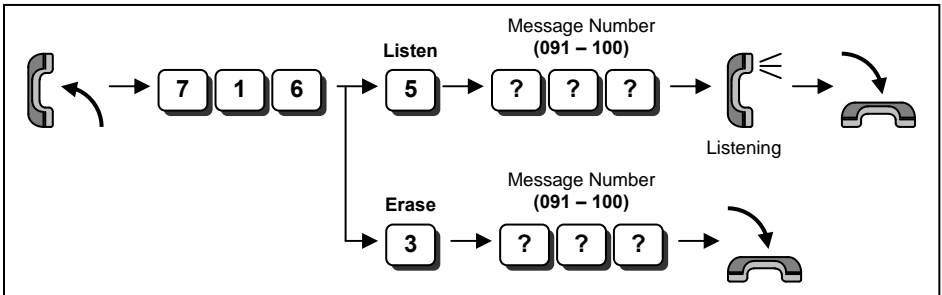
Record / Listen / Erase Answering Messages



- Up to 4 types of messages can be recorded.
- The message length can not exceed 2 minutes.

Built-In Answering Machine (Voice Mail Message)

Listen / Erase Left Messages

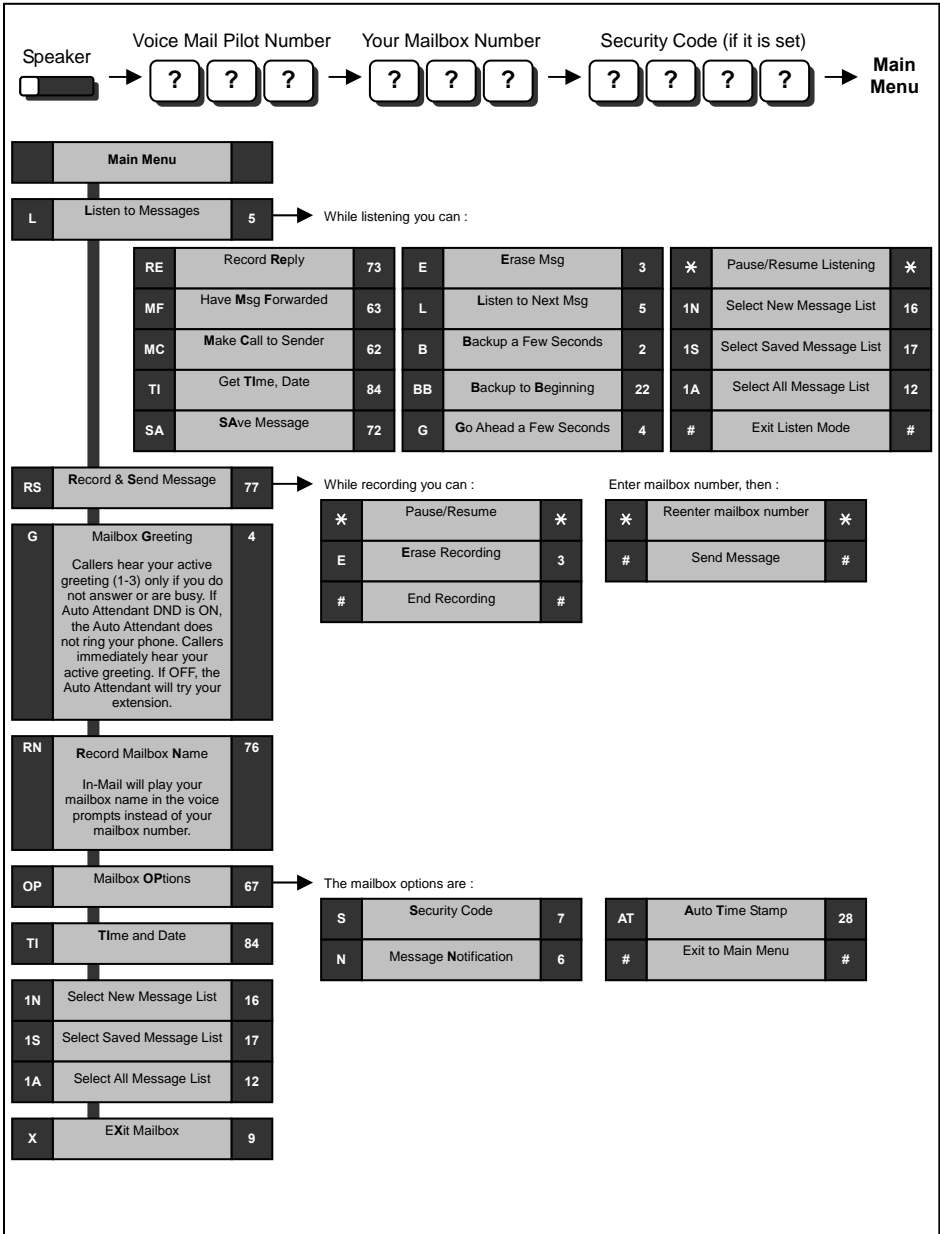


- A maximum of 10 messages can be left by outside callers.
- The message length can not exceed 2 minutes.

Option : In-Mail (Voice Mail)

Optional hardware and System setting is necessary to use In-Mail (Voice Mail) feature. Ask your NEC Authorized Supplier for the details.

■ Log-On to the In-Mail



Option : In-Mail (Voice Mail)

■ Call Forward to Voice Mail

Convenient Operation by Function Key



Auto-Attendant Key



(SC751+79 + Ext No.)

Press "Automated Attendant" Key several times to change the status. (All Calls -> No Answer -> Busy -> Busy/No Answer -> Cancel)

Forward All Incoming Calls

Speaker



Set



Voice Mail Pilot Number



Speaker



Call Forward Immediate Key

(SC751+10)

Cancel



Forward Incoming Call when Busy

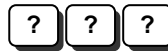
Speaker



Set



Voice Mail Pilot Number



Speaker



Call Forward when Busy Key

(SC751+11)

Cancel



Forward Incoming Call when No Answer

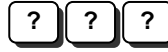
Speaker



Set



Voice Mail Pilot Number



Speaker



Call Forward when No Answer Key

(SC751+12)

Cancel



Forward Incoming Call when Busy / No Answer

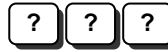
Speaker



Set



Voice Mail Pilot Number



Speaker



Call Forward when Busy / No Ans Key

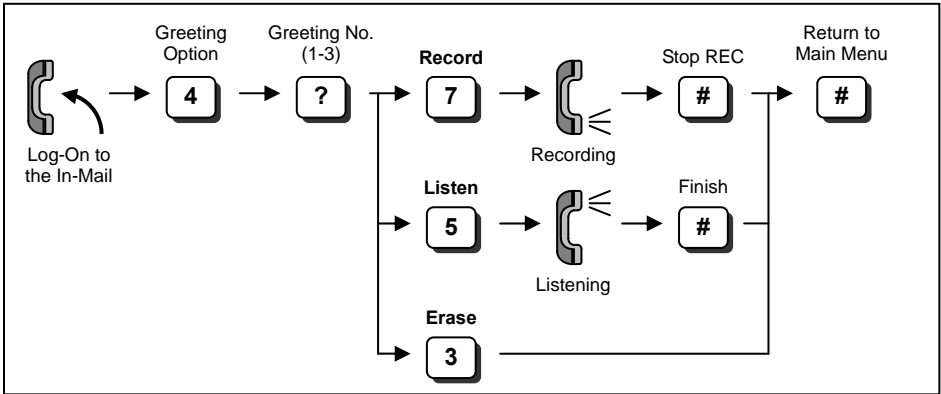
(SC751+13)

Cancel



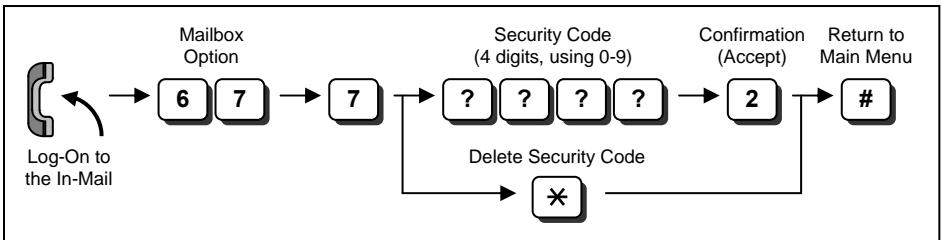
Option : In-Mail (Voice Mail)

■ Mailbox Greeting



- Selected Greeting (one of three) becomes active.

■ Mailbox Security Code

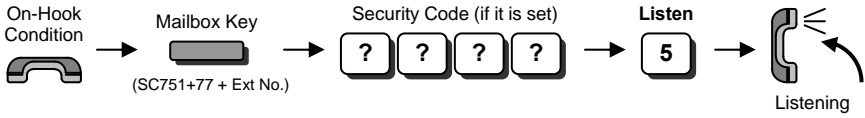


- Dialed Security Code can be canceled by pressing "4" instead of "2 (Accept)".
- In case the "In-Mail Advanced Features License (SL-VM-ADVANCE LIC)" is provided, or during Free Trial period (60 days after new installation), the type of Security Code can be assigned as below.
 - Dial 4 digits Security Code followed by "7": Security Code for all log-on
 - Dial 4 digits Security Code followed by "6": Security Code for remote log-on only
- System Administrator can delete a Mailbox Security Code.

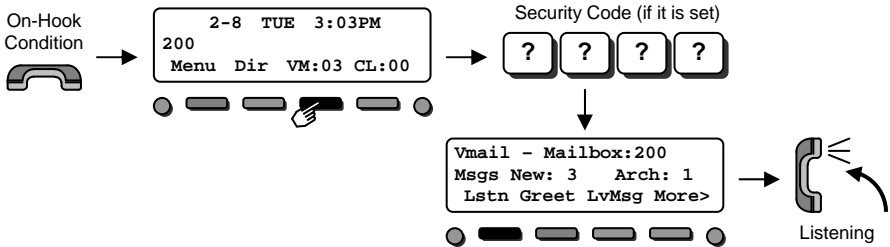
Option : In-Mail (Voice Mail)

■ Listen to Left Messages in your Mailbox

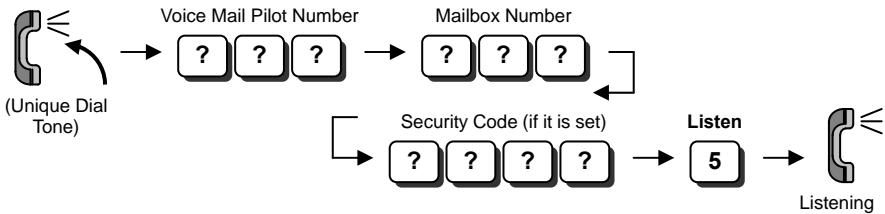
Convenient Operation by Function Key



Convenient Operation by Soft Key



Basic Operation without Function Key



SL Series

IP Multi-Line Terminal
User Guide

NEC Corporation

A50-031529-003 NA
Issue 2.0
May 2012